

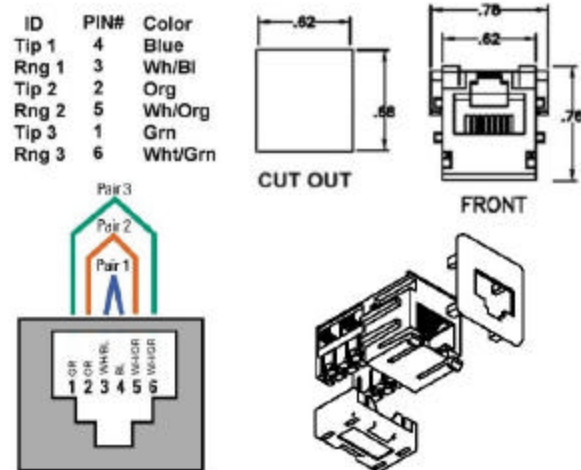
RJ11 / RJ45 JACKS

The ARJ11 and ARJ45 series jacks offer locking bezels with color and Icon identification options to provide distinctive jack locations. These modular jacks can be used alone or with a variety of faceplates. IDC contacts meet durability requirements of TIA 568A and meets Flame Retardant UL94 V-O. Color code your jack to EIA/TIA 606 specifications or to match your décor.



ARJ11 SERIES VOICE GRADE JACK

This CAT 3 series USOC jack provides superior voice grade termination for telephone, modem, and fax connections. The ARJ11 Series is available without or with a pre-wired 6 inch pigtail harness (ARJ11W) and mating connector (ARJ11WC). When using without the 6" pigtail, terminate with a standard 110 Style Punch Down tool such as the AH351 or AH353.



Measurements:

Width: .74" **Height:** .76"
Depth: 1.2" **Panel Thickness:** .08"

(For panel thickness less than .08" use the AJS01 shim to provide a snug fit.)

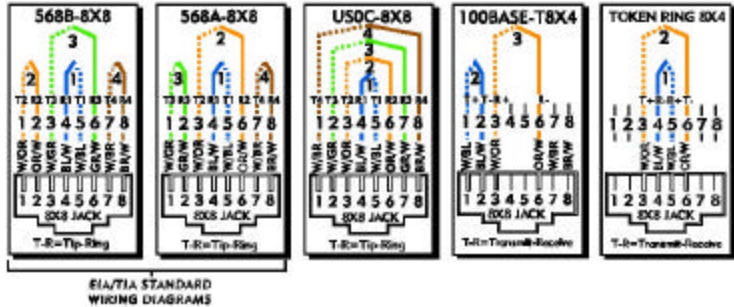
ARJ45 DATA/LAN JACK

CAT5E RJ45 modular jack contacts meet requirements of IEC 603-7 and Gigabit Ethernet performance to IEEE 802.3ab specifications. Locking bezels provide distinctive jack identification with color and Icon options for port identification (*bezels ordered separately*). IDC contacts meet durability requirements of TIA 568A. Plastic housing meets Flame Retardant UL94 V-0.

Color code your jack to EIA/TIA 606 specifications or to match your décor.

Measurements:

Width: .74" **Height:** .76"
Depth: 1.2" **Panel Thickness:** .08"
(For panel thickness less than .08" use the AJS01 shim to provide a snug fit.)



ABE06 /ABE08 BEZELS

(Use with ARJ11 and ARJ45 Jacks)

The ABE series Bezels provides a clean finished installation of the ARJ11 and ARJ45 jacks. The Bezel “LOCKS” the jacks into place.

The ABE06 bezel has built-in fins (barrier) to prevent inadvertent damage due to side-to-side movement of a modular plug. All bezels meet UL94V-0 Flame Retardant Specifications. Bezels are color coded to EIA/TIA 606 standards, or, choose a color to match your décor.



Available Bezel Colors:

- 00 Electrical Ivory
- 01 Office White
- 02 Black
- 03 Red
- 04 Green
- 05 Blue
- 06 Data Gray
- 07 White
- 08 Orange
- 09 Yellow
- 10 Purple
- 11 Brown
- Key Telephone Systems
- Network Communications Station
- Second Level Backbone
- First Level Backbone
- Demarcation Point Orange
- Miscellaneous Yellow
- Common Equipment
- Interbuilding Backbone

AVAILABLE LABEL IDENTIFIERS: VOICE, FAX, MODEM, DATA, or LAN

MEASUREMENTS: Width: 0.80" Height: 0.85"

CREATE A PART NUMBER: ABE06-XXX or ABE08-XXX

First 2 digits for color code last digit for Label.

If no Label required, then leave third digit blank.

i.e. ABE06-01V = Bezel for ARJ11 Office White, “VOICE” Label